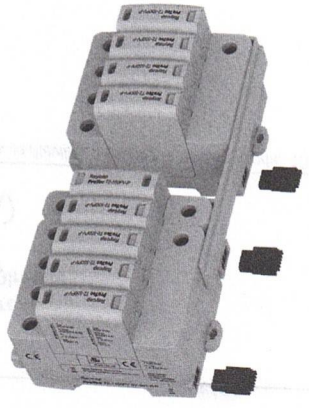


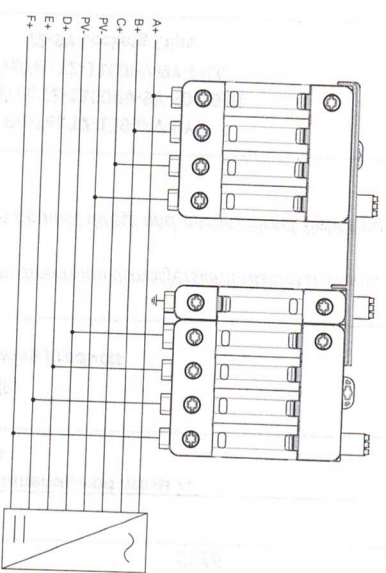
Installation Instructions: ProTec T2-1100PV-9Y-S01/R



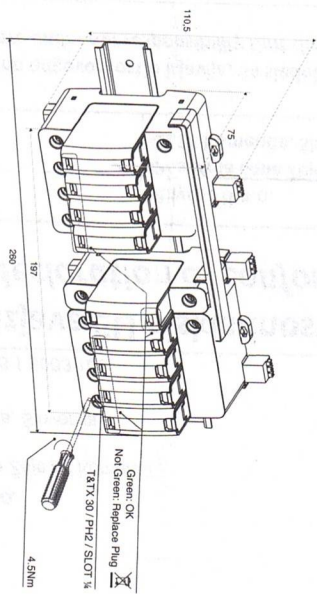
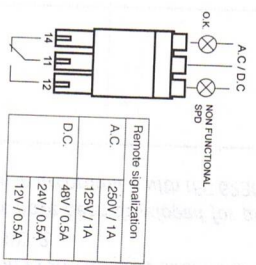
Please read the following before installing your ProTec Surge Protective Device:

- Verify the system voltage and configuration on the label if it is appropriate for the application.
- Risk of Electric Shock – Installation and maintenance should be performed by qualified personnel only.
- Disconnect from energized circuits before installing or servicing.
- Safety rules and regulations applicable to all devices connected to power lines should always be followed. National standards and safety regulations must be respected.
- The external mechanical integrity of the device must be checked before installation. Products with visible damage should not be installed.
- Its use is only permitted within the limits shown and stated in these installation instructions. Opening or tampering with the device invalidates the warranty.
- Connecting leads shall be kept as short as possible and not exceed 0.5m in total length per SPD (in the case of a T-connection).

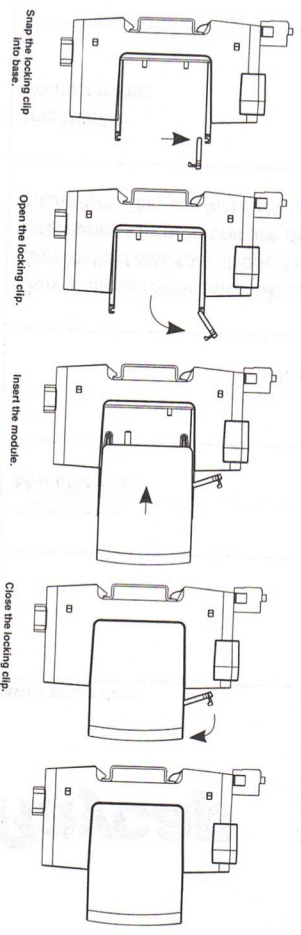
Protection Configurations



Fault indication / Dimensions [mm]



Plug installation



- Earthing conductors of Type 2 SPDs shall have a minimum cross-sectional area of 6mm² copper or equivalent or equal to the cross section area of live conductors, if greater than 6mm².
- In case of existing national regulations about maintenance and control of LPS (Lightning Protection System) which are more demanding, the usage of those regulations is necessary, otherwise it is advised to do maintenance and control according to standard IEC 62305-3:2010, chapter - E.7.
- In case of remote and/or visual failure indication of at least one module of the SPD, all other SPD modules must be replaced with new one. If there is visible damage or any kind of change on the base of SPD, the whole product (base and modules) must be replaced.
- Based on the mentioned standard, annual complete control is recommended (visual control and measurements) or after every lightning strike in that area.

Product name		ProTec T2-1100PV-9Y/R
U _{SCV}	(+)-PE / (-)PE / (+)(-)	1100V
V _{oc}	(+)-PE / (-)PE / (+)(-)	1100V
I _n (9/20)		20kA
I _{lim} (9/20)		50kA
U _c	(+)-PE / (-)PE / (+)(-)	4400V
VPR	(+)-PE / (-)PE / (+)(-)	3000V
I _{lim}		11kA
SCCR (UL 1449)		50kA
I _{sc} (AC/DC)		0.5mA / <7 μA
SPD overload behaviour mode		Open circuit mode (OCM)
Type of PV systems		Non earthed
Ta		-40°C...+85°C
RH		5%...95%
Mounting		35mm DIN rail, EN 60715
Number of ports		1
Location		Indoor
IP		20
	(solid) stripping length 12.5mm	ø min 1.5mm ² / ø max 35mm ²
	(stranded) stripping length 14/12.5mm	ø min 1.5mm ² / ø max 25mm ²
	PH	ø min 16 AWG / ø max 4 AWG
	PH	T&TX 30 / PH/2 / SLOT 1/4
	PH	ø min 0.25mm ² / ø max 1.5mm ²
	PH	ø min 24 AWG / ø max 16 AWG

Izjava EU o skladnosti EU declaration of conformity

CE16

Proizvajalec:
Manufacturer:

Raycap d.o.o.
Poslovna cona Žeje pri Komendi, Pod hrasti 7,
1218 Komenda, Slovenia

S polno odgovornostjo izjavlja, da sledeči izdelki
Hereby, we declare under our responsibility that the following products

Opis: Prenapetostni odvodniki serije ProTec so razviti za zaščito pred direktnimi in delnimi direktnimi atmosferskimi razelektritvami. Zagotavljajo zaščito, v skladu s standardom IEC 62305-2.

Description: Surge protective devices series ProTec have been developed for protection against direct and partial direct lightning discharges. They are intended to provide protection in accordance with IEC 62305-2.

Ime izdelka:
Product name:

ProTec T2-1100PV-9Y-P
ProTec T2-1100PV-9Y-S01-B/R
ProTec T2-1100PV-9Y-P-LC
T2-9Y Locking Clips

Tip / model:
Type / Model:

58.0267
580.268
58.0329
515 295

so v skladu z odredbo
is in compliance with the requirements of regulations

Nizko napetostna direktiva:
Low Voltage Directive:

LVD 2014/35/EU

Direktivi o omejevanju uporabe nekaterih snovi v električni in elektronski opremi:
Directive on the restriction of the use of certain hazardous substances in electrical and electronic equipment:

RoHS3 EU 2015/863

in ustreza zahtevam naslednjih standardov
and fulfils the requirements of the following standards

Standardi:
Standards:

EN 50539-11:2013+A1:2014

Kraj in datum izdaje:
Place and date of issue:

Ljubljana, 10. 6. 2019

Žig:

Raycap

Raycap d.o.o.
Poslovna cona Žeje pri Komendi
Pod hrasti 7, SI-1218 Komenda

Ime, položaj in podpis:

Name, function and signature:

Mirjam Cergolj, Managing Director

Registrirana pisarna: Družba je registrirana pri Okrožnem sodišču v Ljubljani, reg. št. vl.: 1/02121/00 | Matična številka: 5286948 | Osnovni kapital: 13.159,29 EUR
Poslovni račun: SI56 2900 0005 5291 894 | pri UniCredit Banka Slovenija d.d.
SI56 0292 3001 1542 655 | pri NLB d.d. Ljubljana
Identifikacijska št. za DDV: SI 11021322