



Click object to rotate

## BLACK Ultra

Quattro HGLN 40mm LNB

IDLB-QUTL40-ULTRA-OPP

Item: 3405



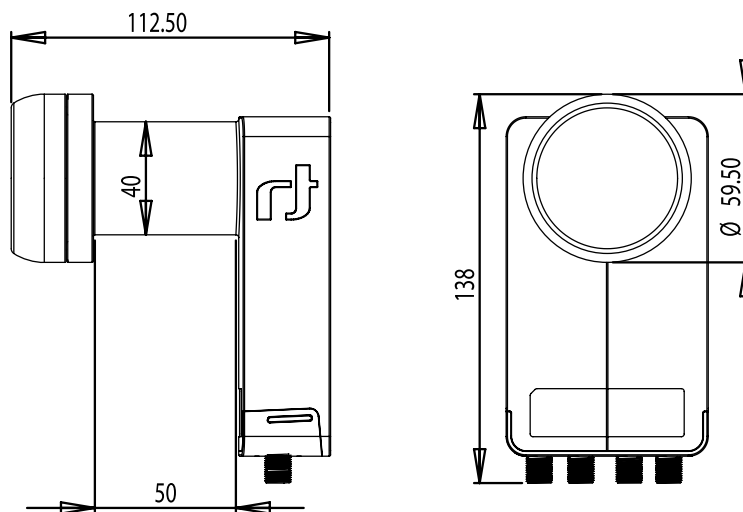
This LNB is a high performance product addressing the need for superior reception under the edges of the satellite footprint. Thanks to its novel front end design and superior components, this LNB provides higher conversion gain yet with lowest noise figure and best phase noise performance. The combination of higher spec components, excellent cross polarization isolation and advanced filter design enables improved handling of interfering spurious. All in all, this LNB provides a leap in the overall reception performance compared with standard LNBs. The LNB enables the reception of signals from one satellite and its distribution via a Multi-Switch to numerous Set Top Boxes and is ready for High Definition transmissions. Designed to meet strict specifications and manufactured to the highest industry quality standards this LNB is an ideal solution for the satellite broadcast reception across Europe.

### Main Features:

- Superior Phase Noise performance, DVB-S2 (HDTV) compliant
- Superior Noise Figure
- Extremely high Cross Polarization Isolation
- Very low Spurious Levels
- Higher Conversion Gain
- Ultimate Reliability

## Technical data

Low Band Input Frequency Range	10.7 ~ 11.7 GHz
Low Band Output Frequency Range	950 ~ 1950 MHz
Low Band LO Frequency	9.75 GHz
High Band Input Frequency Range	11.7 ~ 12.75 GHz
High Band Output Frequency Range	1100 ~ 2150 MHz
High Band LO Frequency	10.6 GHz
Noise Figure	0.2 dB Typ. (0.7 dB Max.)
LO Initial Accuracy	+/- 1.0 MHz Max.
LO Temperature Drift	+/- 3.0 MHz Max.
Phase Noise (@ 10 kHz)	- 90 dBc / Hz Max.
Conversion Gain	60 dB Min.
Gain Ripple (Over 26 MHz Bandwidth)	+/- 0.75 dB
Gain Variation (Over Full Band)	+/- 4 dB Max.
Image Rejection	40 dB Min.
1 dB Compression Point (@ Output)	0.0 dBm Min.
Cross Polarization Isolation	22 dB Min.
Output VSWR	2.0 : 1
In-Band Spurious	- 60 dBm Max.
Current Consumption	200 mA Max. @ 11 ~ 20 V
Operating Temperature	- 30 °C ~ + 60 °C
Output Impedance	75 Ω
Output Connector	F-Type (Female)
Weight	344 g



For purpose of brevity, some product descriptions in this sheet remain at platform level and may not be referred to as detailed datasheets of the products. Inverto Digital Labs reserves the right to amend, omit or add products, product-lines, and / or features without notice.

For further details contact: [sales@inverto.tv](mailto:sales@inverto.tv)

FTA Communication Technologies S.a r.l Tel. +352 264 367 1 Fax. +352 264 313 68

